

CS/B.TECH/ODD SEM/SEM-1/ME-101/2016-17



**MAULANA ABUL KALAM AZAD UNIVERSITY OF
TECHNOLOGY, WEST BENGAL**

Paper Code : ME-101

ENGINEERING MECHANICS

Time Allotted : 3 Hours

Full Marks : 70

The figures in the margin indicate full marks.

Candidates are required to give their answers in their own words as far as practicable.

GROUP – A

(Multiple Choice Type Questions)

1. Choose the correct alternatives for any ten of the following : 10 × 1 = 10

i) The principal stresses at a point in an elastic material are 60 N/mm^2 tensile, and 50 N/mm^2 compressive. Calculate the volumetric strain. Take $E = 100 \times 10^3 \text{ N/mm}^2$ and $\mu = 0.3$.

- a) 1.6×10^{-4} b) 1.8×10^{-4}
c) 1.2×10^{-4} d) 1.0×10^{-4}

[Turn over

- vi) The differential equation of a free falling body is
- a) $\ddot{x} = 0, \ddot{y} = 0$ b) $\ddot{x} = c, \ddot{y} = g$
c) $\ddot{x} = 0, \ddot{y} = g$ d) none of these.
- vii) The velocity of a body on reaching the ground from a height h , is given by
- a) $v = 2gh$ b) $v = 2gh^2$
c) $v = \sqrt{2gh}$ d) $v = \frac{h^2}{2g}$
- viii) The time variation of the position of a particle in rectilinear motion is given by $X = 2t^3 + t^2 + 2$. If 'v' is the velocity and 'a' the acceleration of the particle in consistent units, the motion started with
- a) $v = 0, a = 0$ b) $v = 0, a = 2$
c) $v = 2, a = 0$ d) $v = 2, a = 2$.
- ix) The maximum strain energy that can be stored in a body is known as
- a) impact energy
b) resilience
c) proof resilience
d) modulus of resilience.

CS/B.TECH/ODD SEM/SEM-1/ME-101/2016-17

x) If the momentum of a body is doubled, its kinetic energy will

a) increase by two times

b) increase by four times

c) remain same

d) get halved.

xi) Three forces $\sqrt{3}P$, P and $2P$ acting on a particle are in equilibrium. If the angle between the first and second be 90° , the angle between the second and third will be

a) 30°

b) 60°

c) 120°

d) 150° .

xii) The dot product of two orthogonal vectors is

a) one

b) no definite value

c) zero

d) none of these.

GROUP - B

(Short Answer Type Questions)

Answer any *three* of the following.

3 × 5 = 15

2. What do you mean by a free body diagram ? Draw the FBD from the given fig.1

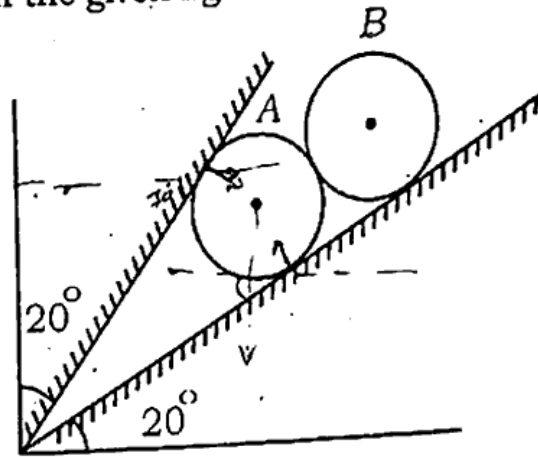


Fig.1

3. Locate the centroid of the shaded area as shown in Fig.2. All the dimensions are in mm.

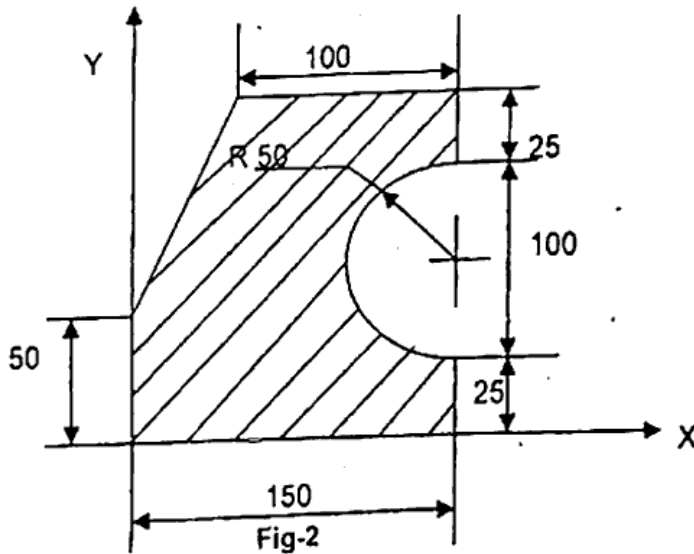


Fig-2

4. A block A of weight 100 n is placed on an inclined plane which makes an angle 30° to the horizontal. an extensible string is connected to block A and is passed over a smooth pulley. Another block B is hung freely at the other end of the string as shown in fig. 3. Determine the range of weight of block B, such that the block A has motion neither up the plane nor down the plane. Take $\mu = 0.3$ for all contact surfaces.

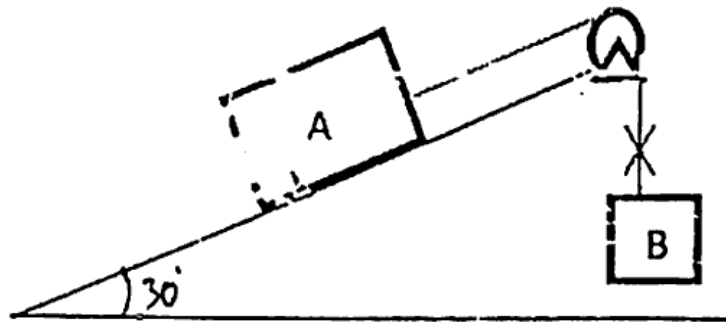


Fig.3

5. Moment of a certain force about the point $P (3, 7, -2)$ is $(10\hat{i} - 8\hat{j} + 40\hat{k})$ kN-m. Find the moment of the same force about the line PQ. Co-ordinate of Q is $(5, 8, 1)$.
6. The acceleration of a particle along a straight line is given by the equation $a = 4 - \frac{t^2}{9}$. If the particle starts with zero initial velocity from a position $x = 0$, find (i) its velocity after 6 sec and (ii) distance travelled in 6 sec.

7. Determine the reactions at supports A and C in the structure shown in the Fig. 4.

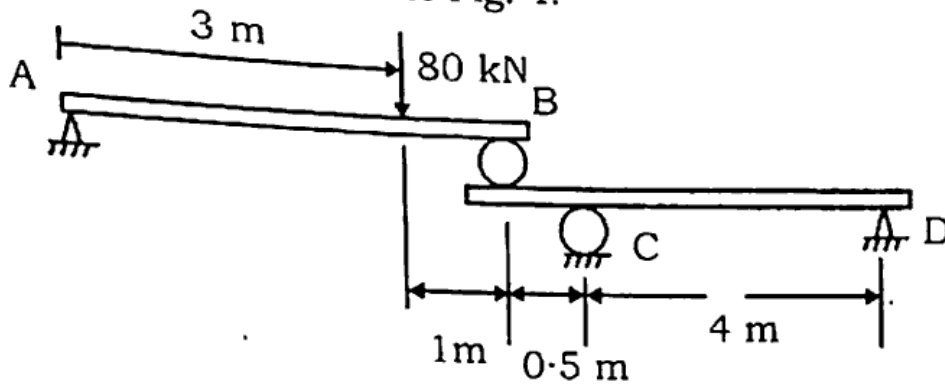


Fig. 4

GROUP - C

(Long Answer Type Questions)

Answer any *three* of the following. $3 \times 15 = 45$

8. a) A roller of radius $r = 304.8$ mm and weight $Q = 2225$ N is to be rolled over a curb of height $h = 152.4$ mm by a horizontal force P applied to the end of a string wound around the circumference of the roller, Fig. 5. Find the magnitude of P required to start the roller over the curb. There is sufficient friction between the roller surface and the edge of the curb to prevent slip at A. 8

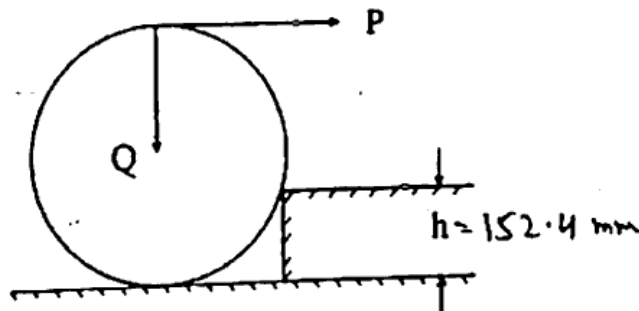


Fig. 5

- b) Two beams AB and DE are arranged and supported as shown in Fig. 6. Find the magnitude of the reaction RE at E due to the force $P = 890$ N applied at B as shown. 7

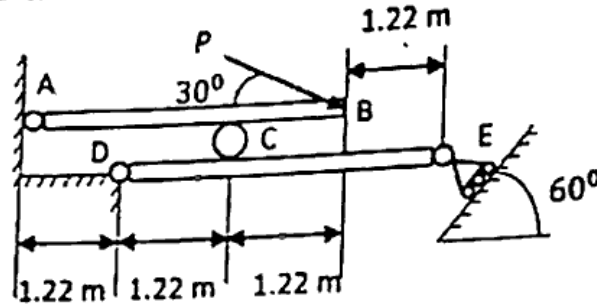


Fig. 6

9. a) Two equal loads of 2500 N are supported by a flexible string $ABCD$ at points B and D as shown in the Fig. 7. Find the tensions in the portions AB , BC and CD of the string. http://www.makaut.com 7
- b) Two blocks connected by a horizontal link AB are supported on two rough planes as shown in fig. 8. The coefficient of friction for block A on the horizontal plane is $\mu = 0.4$. The angle of friction for block B on the inclined plane is 15° . What is the smallest weight of the block A for which equilibrium will exist? 8

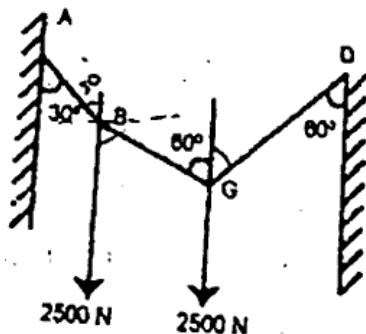


Fig. 7

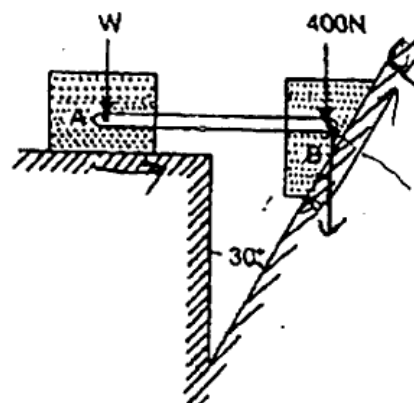


Fig. 8

10. a) A steel bar of 20 mm diameter is loaded as shown in fig. 9. Determine the stresses in each part and the total elongation. Take $E = 2 \times 10^5 \text{ N/nm}^2$. 7

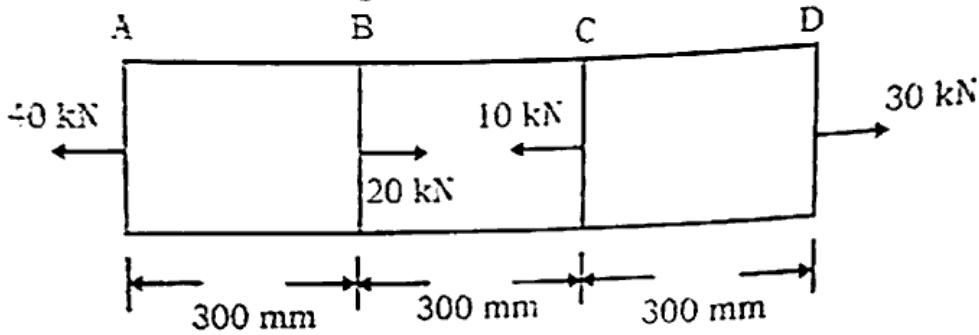


Fig. 9

- b) A force $F = 50 i + 75 j + 100 k$. acts through E as shown in Fig.10. Determine the moment of force about x, y and z axes respectively. 8

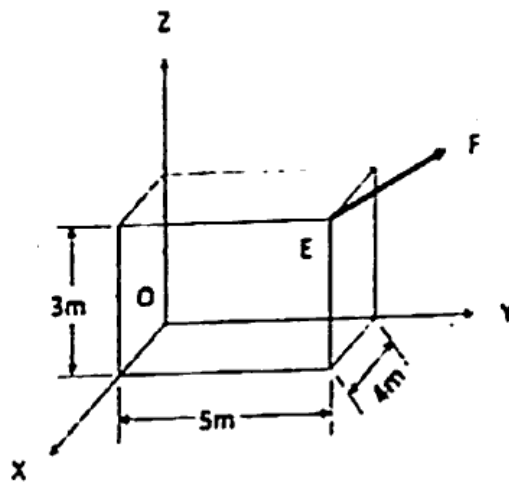


Fig. 10

11. a) A rope AB is attached at B to a small block and passes over a small pulley C so that its free end A hangs 5m above the ground as shown in the Fig. 11. The end A is moved horizontally following a

straight line with uniform velocity V_0 . Establish a relationship between velocities of the block with time.

7

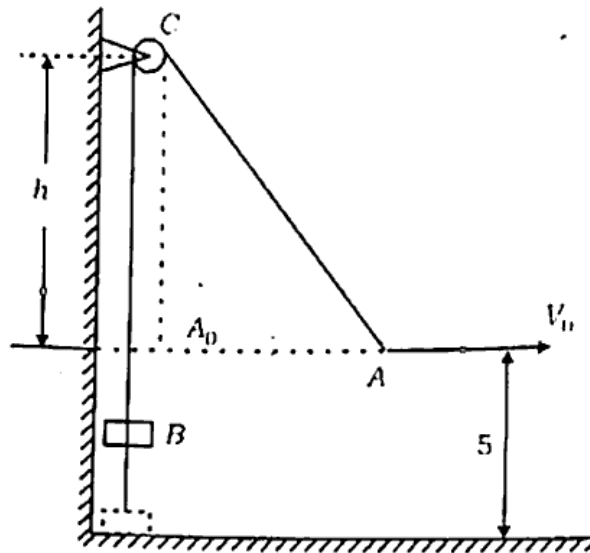


Fig. 11

- b) Two blocks A and B Fig. 11 weighing $W_A = 45 \text{ N}$ and $W_B = 90 \text{ N}$ respectively are placed side by side on an inclined plane having inclination angle $\alpha = 30^\circ$ as shown in Fig.12 so that they can slide together. If the coefficient of friction between the blocks and the plane are $\mu_A = 0.15$ and $\mu_B = 0.30$ respectively, find the contact thrust existing between the blocks under motion.

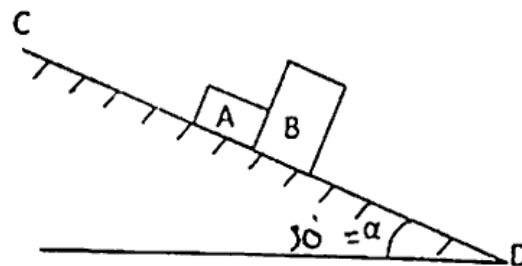


Fig. 12

8

12. a) Block B has rightward velocity of 1.2m/s as shown in Fig.13. Find the velocity of the block A. 8

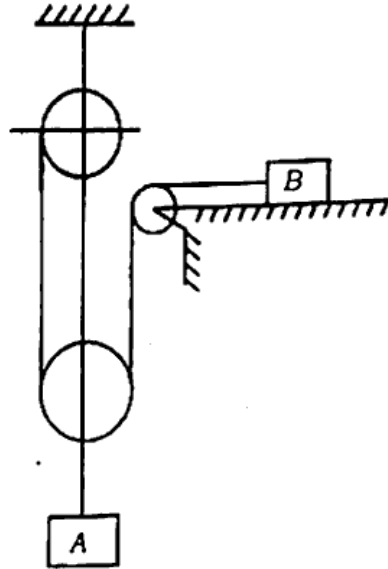


Fig. 13

- b) A shot is fired with a bullet with an initial velocity of 40 m/sec from a point 20 m in front of a vertical wall 10 m high as shown in Fig. 14. Find the angle of projection with horizontal to enable the shot to just clear the wall.

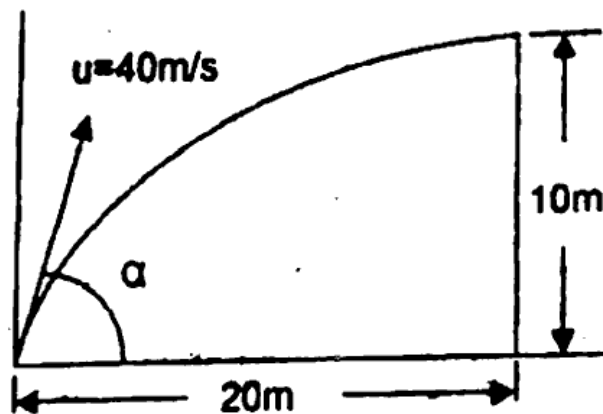


Fig. 14

7